

POWERKEY ULTIMATE Mini 2200

Learn more at www.hmisisystems.net



PKU Mini 2200 with finger guards

PKU Mini Keypad Standard Features:

- Supply voltage 12-24v
- Relegendable buttons
- Multicolor indicator rings
- Vertical or horizontal mount
- Improved thermal dissipation
- Full color LED indicators including pure white
- Standard and custom legends (no mins, no set up fees)
- Added overload feedback on output drives to detect short circuit or over current events
- Significant power reductions, PKU mini consumes with all LED's active 250mA@12v
- Simplified CAN messaging using our CANconnect software to control multiple LED's within single message
- Brighter LED's
- LED backlit icons
- Sealed IP68
- CRM or Designer

PKU Mini Keypad Improved Features with the Designer Firmware:

- 256 step brightness control for each color
- New LED visual effects (blink, pulse, spin ripple)
- On / Off, momentary, toggle, scroll / step functions programmable for each key
- Autonomous operation (key press causes LED to change state without feedback from external device)
- NMEA2000 bus compliant (support ISO requests, address claim, binary status 127501 and binary control 127502 messages)

Chrome Bezel shown,
other options available



PKU Mini Keypad Protocols & Accessories:

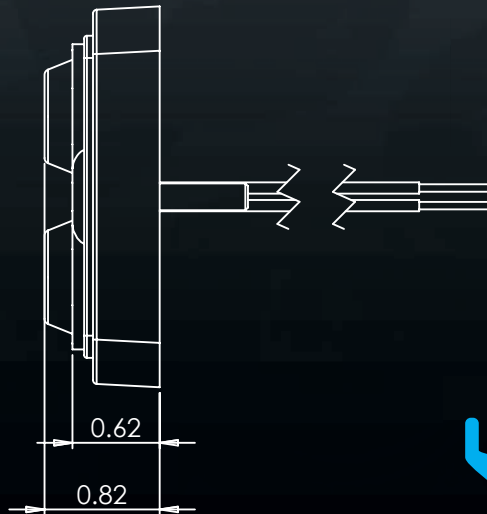
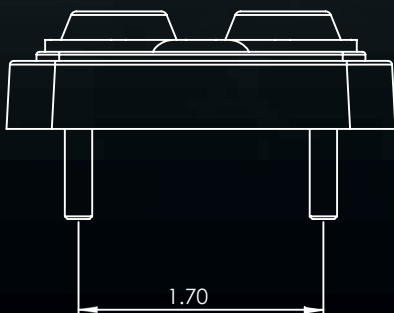
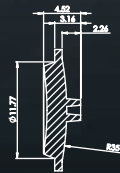
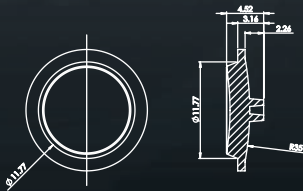
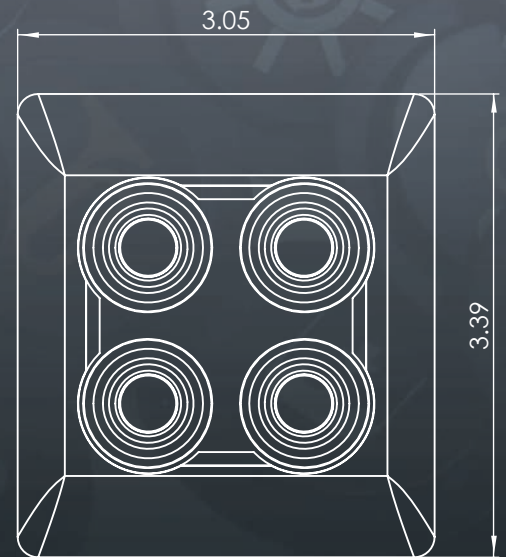
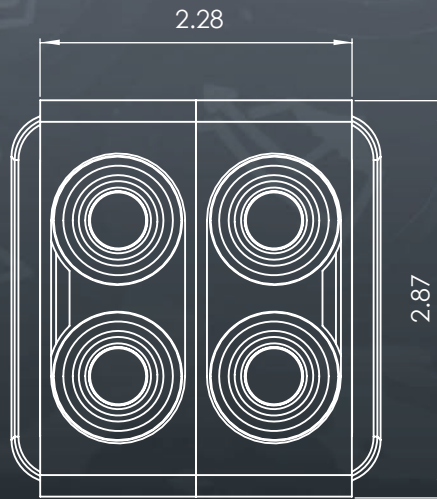
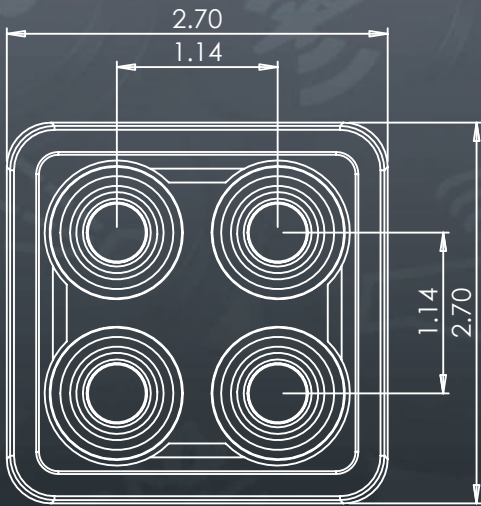
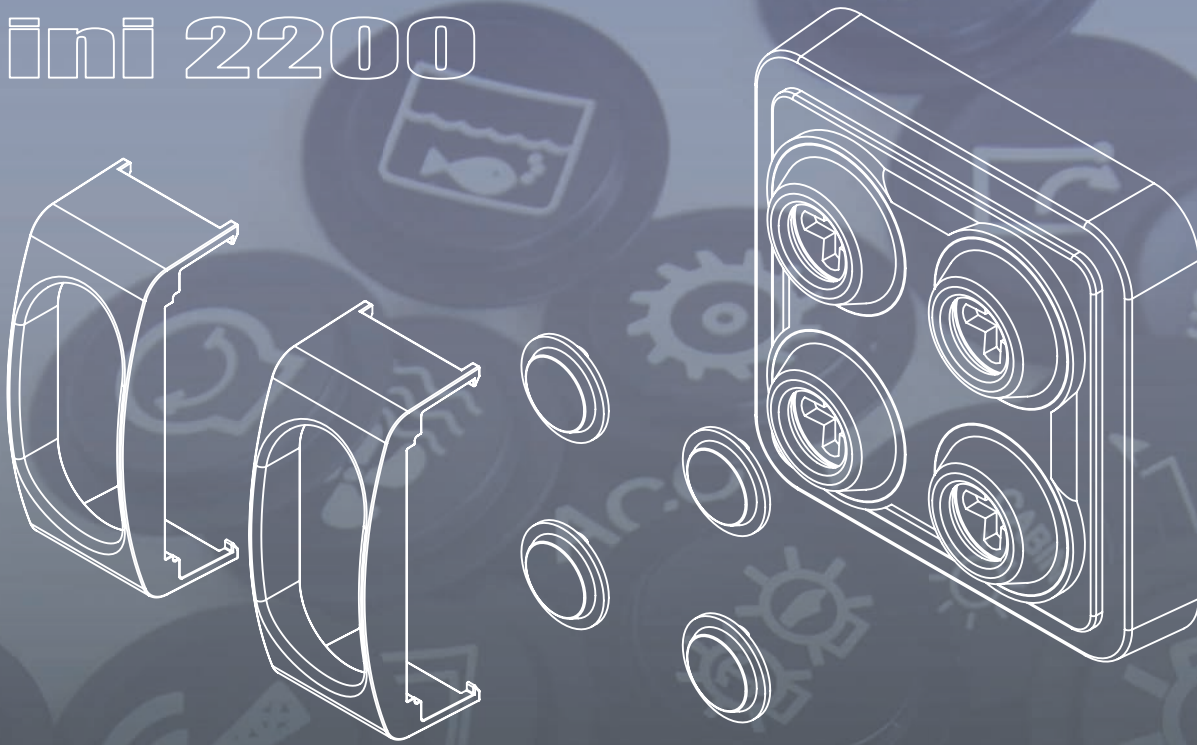
- Optional Bezels
- RS485
- CANopen
- J1939
- NMEA2000
- Optional Finger guards
- Free Software Utility
- Accessories Catalog
- Connector options include: Deutsch, Molex and more



1955 West State Rd 426 | Oviedo, FL 32765 | Tel: 407.359.8171 | Fax: 407.359.8170
info@hmisisystems.net | www.hmisisystems.net

POWERKEY ULTIMATE

Mini 2200



YOUR NEEDS
ARE DYNAMIC,
CHOOSE A
PRODUCT THAT
ADAPTS TO YOU.