



Standard Product Features

- 🔌 Full color LED indicators including pure white
- 🔌 Improved thermal dissipation
- 🔌 Standard and custom legends (no mins, no set up fees)
- 🔌 Significant power reductions, PKU MS consumes with all LED's active 107mA @ 12V
- 🔌 Simplified CAN messaging using CANconnect software to control multiple LEDs within single message
- 🔌 Supply Voltage 12-24V
- 🔌 Brighter LED's
- 🔌 LED backlit icons
- 🔌 Relegendable Buttons
- 🔌 Multicolor indicator rings
- 🔌 Sealed IP68
- 🔌 Vertical or horizontal mount
- 🔌 CRM or Designer, ECS firmware options

Improved Product Features

with Designer Firmware

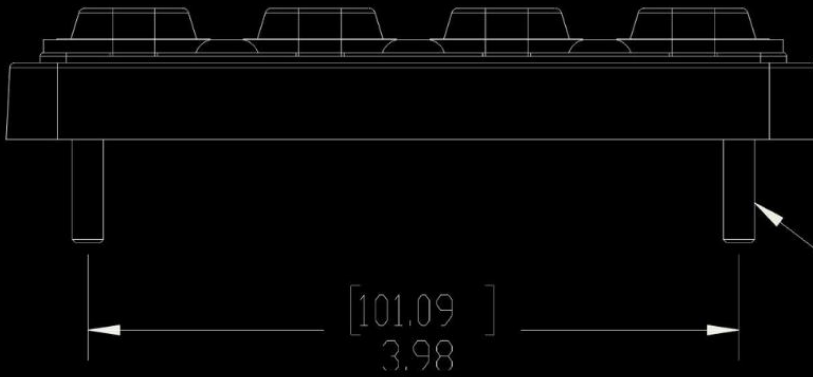
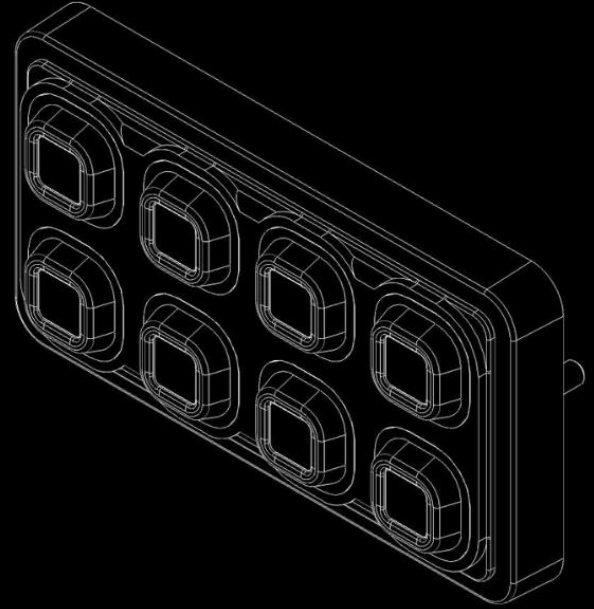
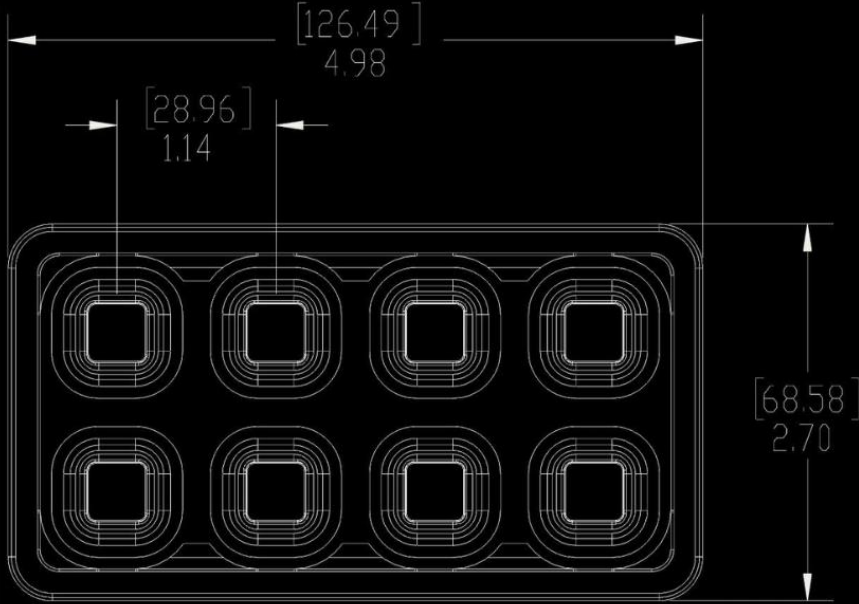
- 🔌 256 step brightness control for each color
- 🔌 New LED visual effects (blink, pulse, spin, ripple)
- 🔌 On/Off, momentary, toggle, scroll/step functions programmable for each key
- 🔌 Autonomous operation (key press causes LED to change state without feedback from external device)
- 🔌 NMEA2000 bus compliant (support ISO requests, address claim, binary status 127501 and binary control 127502 messages)

Protocols & Accessories

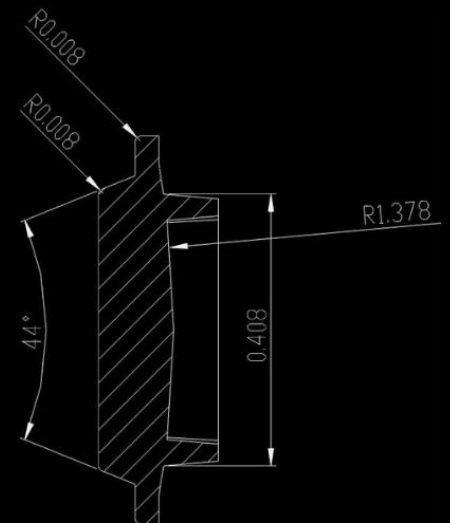
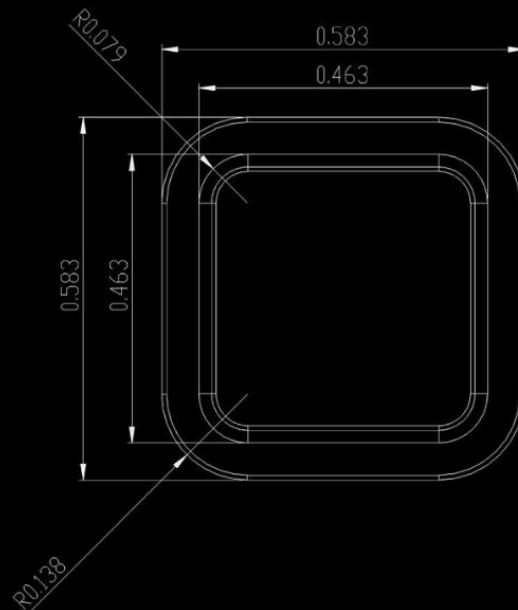
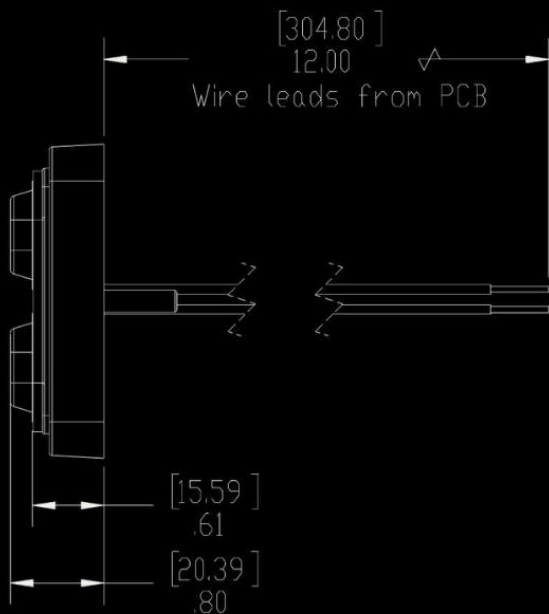
- 🔌 CAN Open
- 🔌 J1939
- 🔌 NMEA2000
- 🔌 Free Software Utility
- 🔌 Accessories Catalog
- 🔌 Connector options include: Deutsch, and more



POWERKEY ULTIMATE PKU 2400MS



#10-32 X 1.00"



SECTION A-A